

DRAFTING & DESIGN BY:

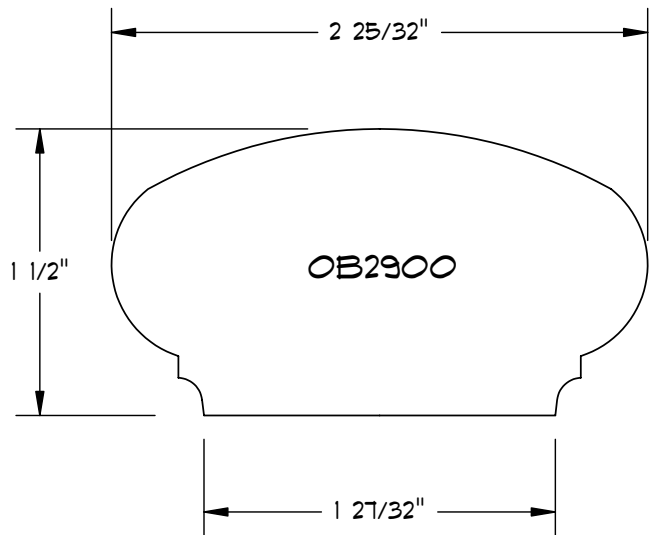
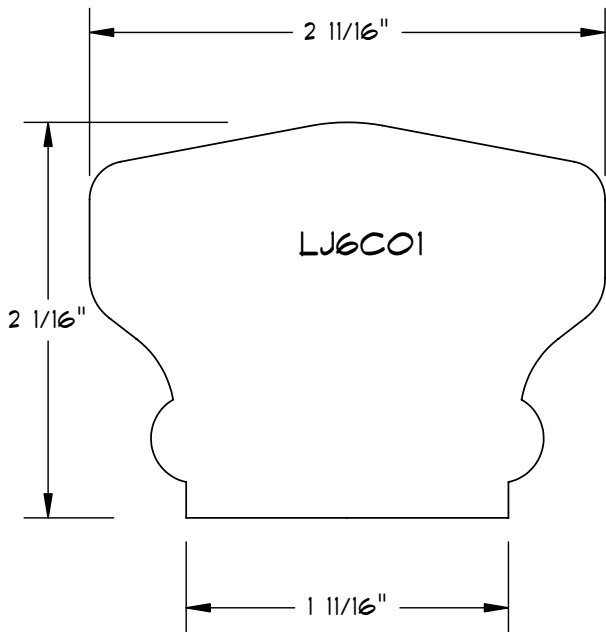
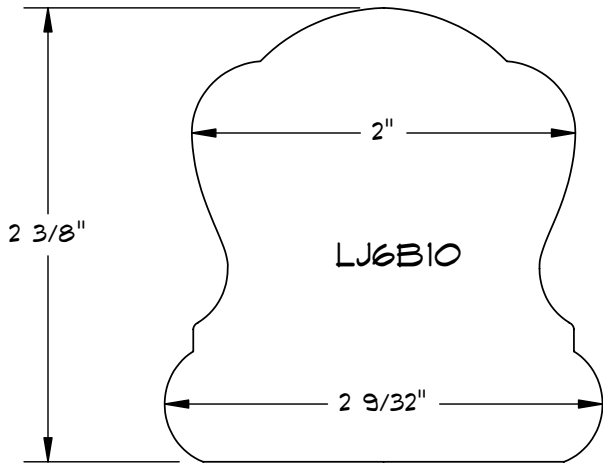
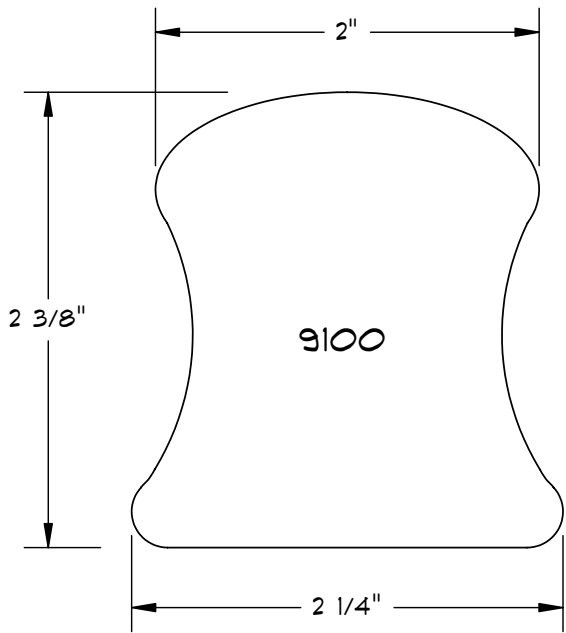


CHRIS GRAHAM  
425-397-2794

*Staircraft*  
Staircase design & construction

## RAIL PROFILES

DRAWN BY: C.A.G.  
DATE: 2/1/07  
SCALE: FULL SIZE



DRAFTING & DESIGN BY:

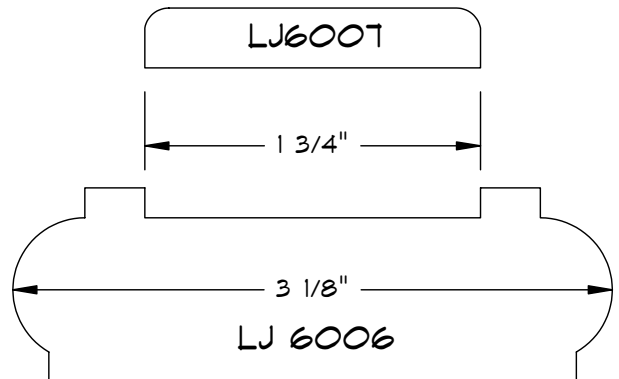
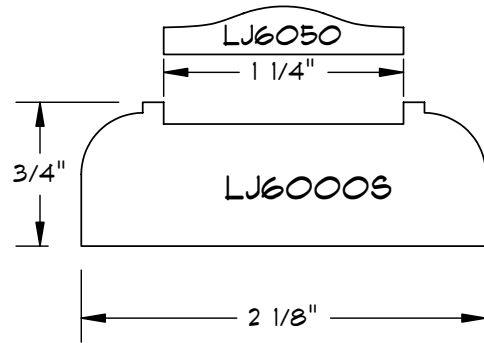
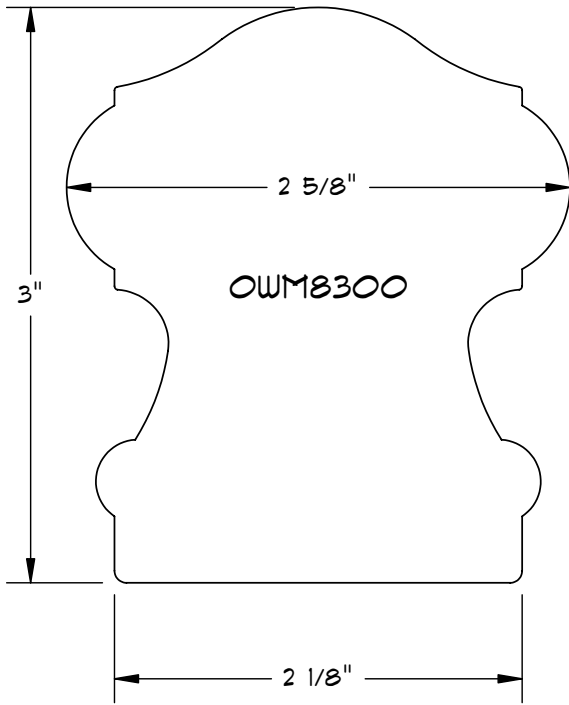
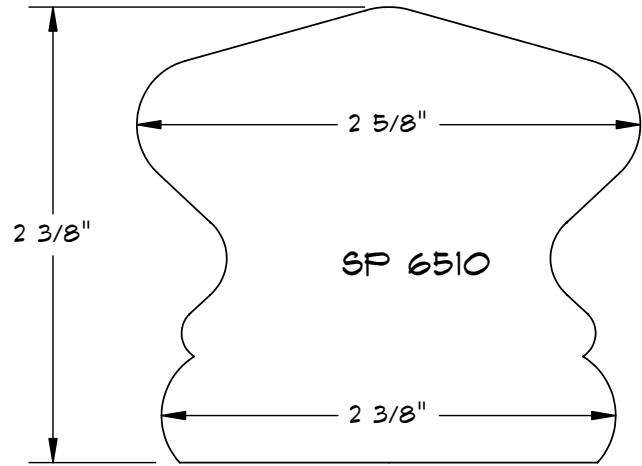
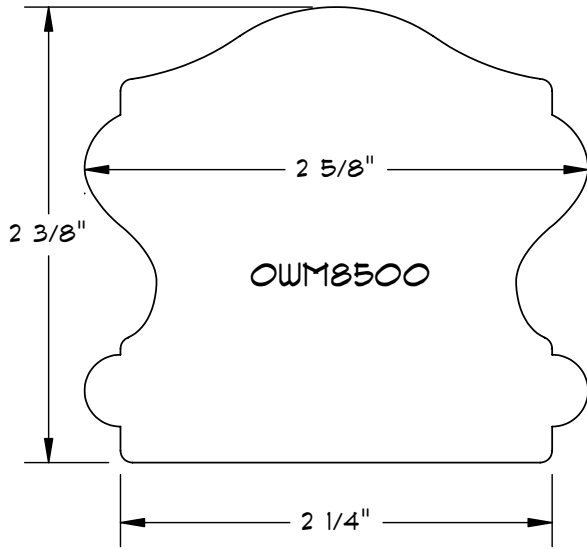


CHRIS GRAHAM  
425-397-2794

*Staircraft*  
Staircase design & construction

## RAIL PROFILES

DRAWN BY: C.A.G.  
DATE: 2/1/07  
SCALE: FULL SIZE



DRAFTING & DESIGN BY:



CHRIS GRAHAM  
425-391-2194

*Staircraft*  
Staircase design & construction

## RAIL PROFILES

DRAWN BY: C.A.G.  
DATE: 2/1/07  
SCALE: FULL SIZE