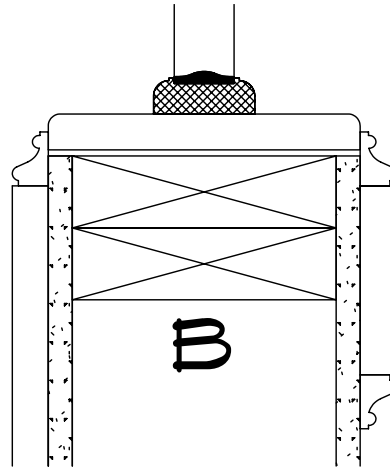
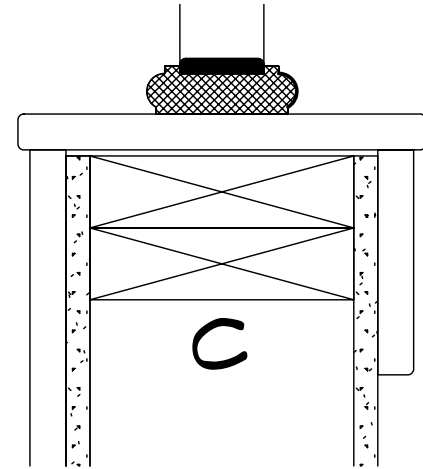


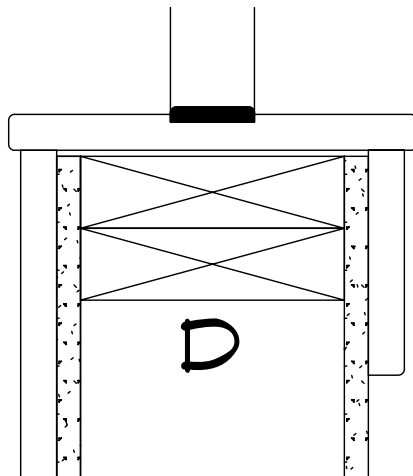
A



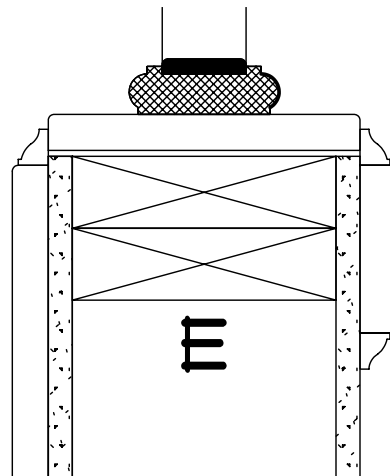
B



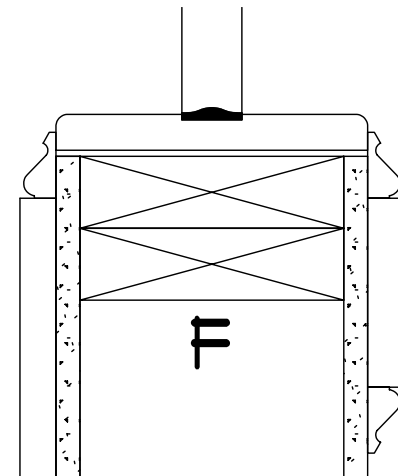
C



D



E



F

NORTH
POINT
HOMES, INC.



CURB DETAIL CROSS SECTIONS

JOB ADDRESS:

DRAFTING & DESIGN BY:

CHRIS GRAHAM
425-397-2794

Staircraft
Staircase design & construction

DRAWN BY: C.A.G.
DATE: 12/30/06
SCALE: 3" = 1'

OPTIONS